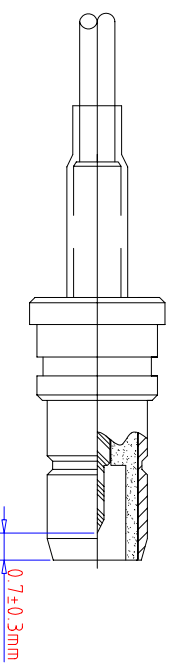
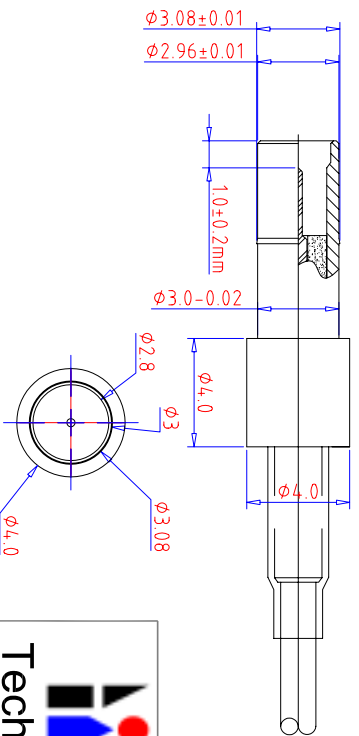
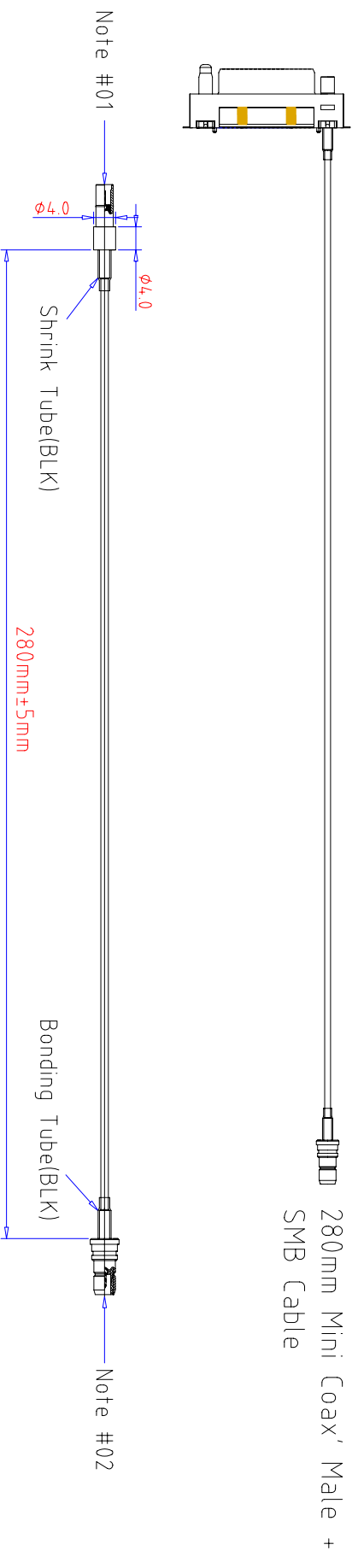
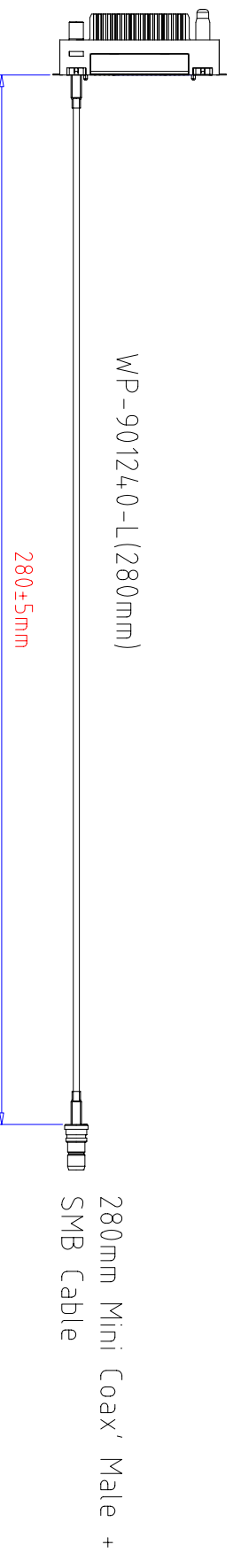


×× AFTER ××

MARK	REVISION	DATE	NAME	REMARK
△				



			WP-901240-L(280mm)	
MODEL NAME	PnP Project		PART NO.	
DRAWING	CHECK	APPROVAL	DESCRIPTION	
K S JANG	K S JANG	0 J KWON	I/O 20P CONNECTOR(MALE)	
DATE : 2005/01/26	SCALE	1/1	DWG NO.	ITC 04.002. A01.
2005/01/26	2005/01/26	2005/01/26		